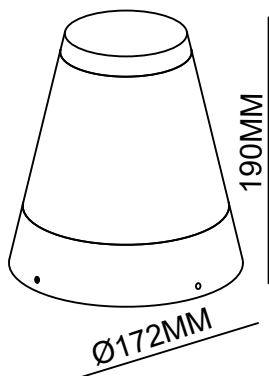


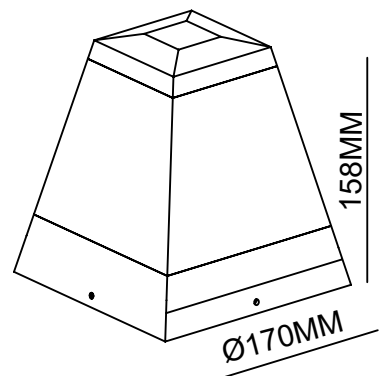


*Light is everything*



### HMLO-0139

**Light Source:** LED  
**Wattage:** 15W  
**Rating:** 240V • IP65 • Class 1  
**Material:** Die-casting Aluminum Body + Pc  
**Colour:** WHITE  
**Size:**  $\phi 172 \times 190 \pm 2 \text{MM}$   
**Packaging:** 6pcs/carton  
**Carton:** 56X38X22cm



### HMLO-0140

**Light Source:** LED  
**Wattage:** 15W  
**Rating:** 240V • IP65 • Class 1  
**Material:** Die-casting Aluminum Body + Pc  
**Colour:** WHITE  
**Size:** 170X170X185 $\pm 2 \text{MM}$   
**Packaging:** 10pcs/carton  
**Carton:** 60X16X24cm



HARMONY LIGHTS UP THE WORLD

Should you have any comments or queries, please contact our sales team on;

Hong Kong Tel.: (852) 2521 3909 or Fax: (852) 2485 2188

Shenzhen Tel.: (86) 755 8369 4737 or Fax: (86) 755 8369 4741

WWW.harmony-lighting.com sales@harmony-lighting.com

Note: Products must be installed by a qualified electrician.

